

# 150W LED Street Light

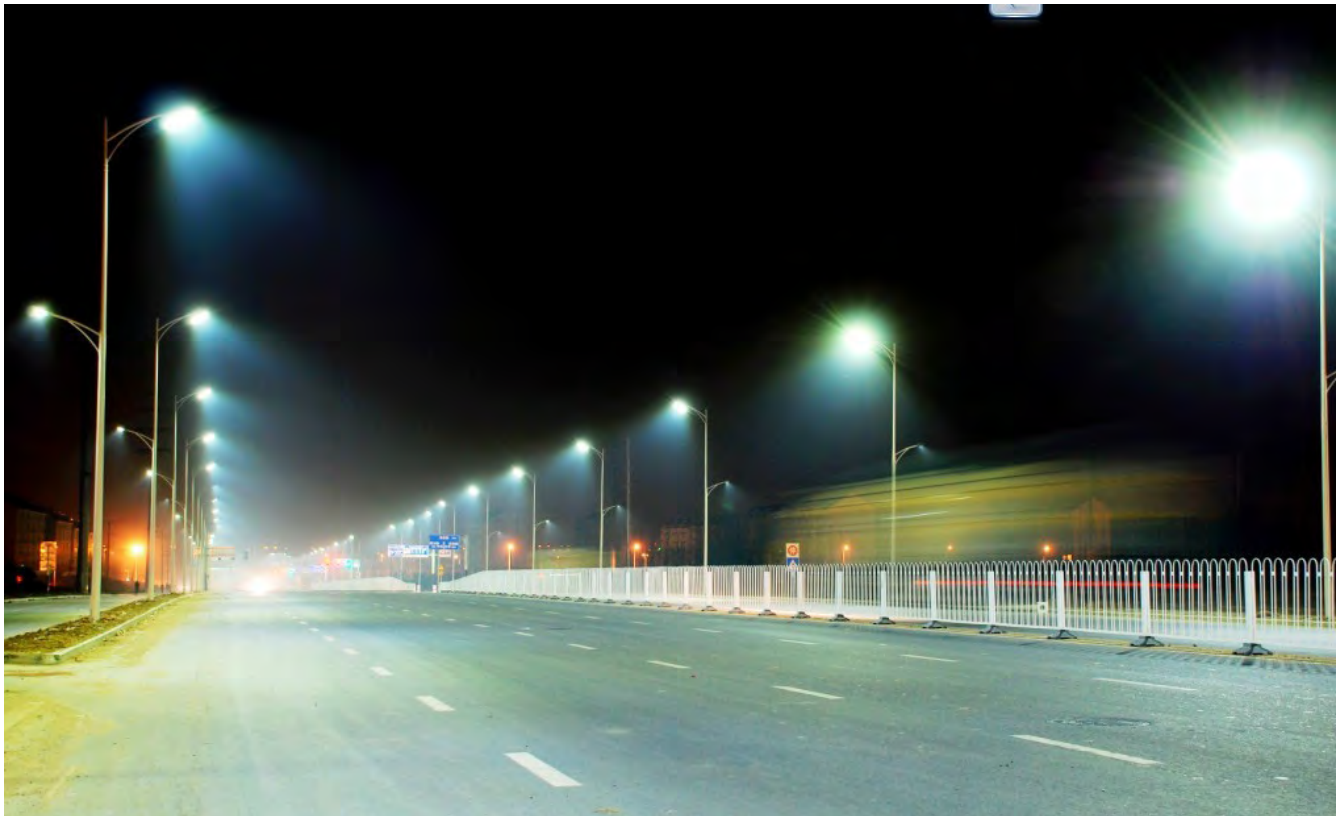


## Features

- Lumileds LED, high luminous efficiency and long working life.
- High efficiency LED Driver, the wide range input voltage AC100-277V / 277 - 480 V.
- Die Cast aluminium cooling design, high quality and better cooling for LED  $T_j < 85^\circ\text{C}$ . Excellent Optics design, greatly improve the light utilization and evenness.

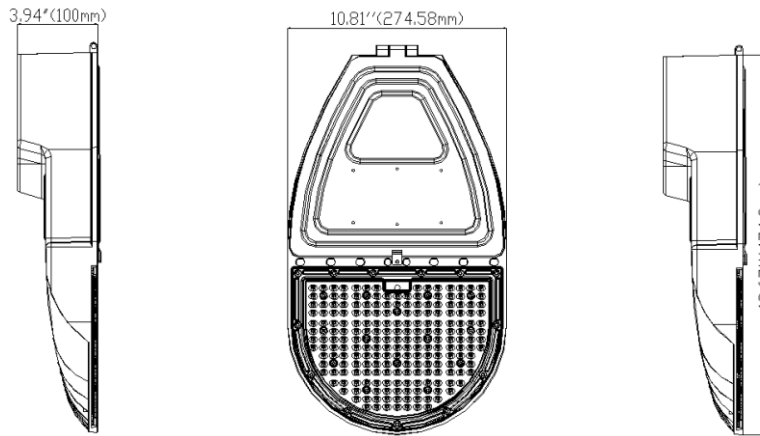
## Product Applications

WSD LED LED Street Light series can be widely used in outdoor lighting (Wet location), Excellent for Museums, Art Galleries, Shopping Malls, Underground parking lot, Buildings, The lawn, Industrial areas, Residential areas, Sidewalks, Parking lot, Schools and etc, and many more applications.



## Specifications

Unit : inch(mm)



### Structure Features

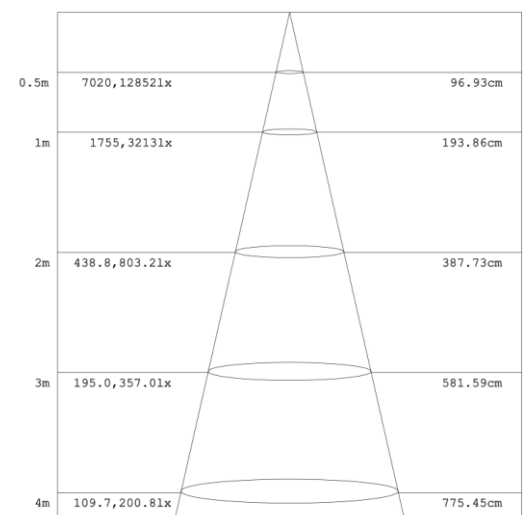
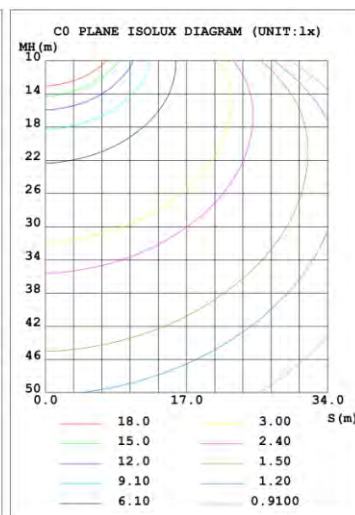
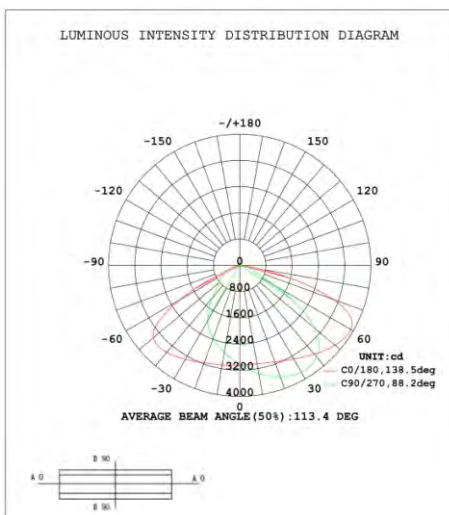
- Shell materials: Aluminum & PC.
- Finish: Dark Bronze/White
- Net weight : 4.5Kg (9.9 lbs)
- Product Size:474.2mm\*274.58mm\*100mm
- Carton Size:536mm\*347mm\*170mm

## Technical Parameters

### WSD-ST15W27-XXK-[S,D,W]

Power	150W	Lighting Angle	85*140°
Input Voltage	AC100-277V/277-480V	LED Brightness Decay	<5%/6000 hrs
PF	>0.95	Working Life	>50000 hrs
Driver Efficiency	>90%	Working Temperature	-30 - +45°C
Luminous Flux	22500 Lm	Storage Temperature	-40 -+80°C
Color Temperature	4000K/5000K	Protection Level	Wet Location/IP65
CRI	Ra>70	Cable	Input Connect, 0.6m
Adapter specification	ST-ADP2.5-3		

## Photometry



### Example:WSD-ST15W27-XXK-[S,D,W]

WSD	ST	15W	27	XXK	S
Company	Product	Power	Voltage	Color Temp	Finish
	ST	15W(150W)	27	40K(4000K)	S (Silver)
WSD LED INC	Street Light		AC100-277V	50K(5000K)±500K	D (Dark Bronze)
			48		W (White)
			AC277-480V		