

COMPACT SIZE DUAL HEAD EMERGENCY LIGHT

READ AND FOLLOW ALL SAFETY INSTRUCTIONS

WARNING: FAILURE TO FOLLOW THESE INSTRUCTIONS AND WARNINGS MAY RESULT IN DEATH, SERIOUS INJURY OR SIGNIFICANT PROPERTY DAMAGE. For your protection, read and follow these warnings and instructions carefully before installing or maintaining this equipment.

WARNING: RISK OF ELECTRIC SHOCK - NEVER CONNECT TO, DISCONNECT FROM, OR SERVICE WHILE EQUIPMENT IS ENERGIZED.

WARNING: RISK OF FIRE. Lamps are hot. Keep combustible material away from hot parts. Observe lamp manufacturer's warnings, recommendations and restrictions on lamp operation and maintenance. Make sure lamps are correctly installed.

WARNING: DO NOT USE ABRASIVE MATERIALS, OR OTHER SOLVENTS. USE OF THESE SUBSTANCES MAY DAMAGE FIXTURE, WHICH MAY RESULT IN PERSONAL INJURY.

WARNING: RISK OF PERSONAL INJURY. This product may have sharp edges. Wear gloves to prevent cuts or abrasions when removing from carton, handling, installing and maintaining this product.

IMPORTANT SAFEGUARDS: When using electrical equipment, basic safety precautions should always be followed, including the following:

- Before wiring to power supply, turn off electricity at fuse or circuit breaker.
- Disconnect AC power and unplug battery before servicing.
- Consult your local building code for approved wiring and installation.
- Do not use outdoors.
- Do not let power supply cord touch hot surfaces.
- Do not mount near gas or electric heater.
- Do not install a damaged fixture.
- This product must be installed in accordance with the applicable installation codes and ordinances.
- Proper grounding is required to ensure personal safety (where applicable).
- All service shall be performed by qualified personnel. This product must be installed and maintained in accordance with the applicable installation codes by a person familiar with the construction and operation of the product and the hazards involved.
- Equipment should be mounted in locations and at heights where it will not be subjected to tampering by unauthorized personnel.
- The use of accessory equipment not recommended by the manufacturer may cause an unsafe condition.
- Do not use this equipment for anything other than its intended use.

IMPORTANT:

1. When re-lamping use only lamps specified by the manufacturer. Using other lamp types may result in transformer damage or cause unsafe conditions.
2. Battery in this unit may not be fully charged. After electricity is hooked up to the unit, let the battery charge up for at least 24 hours. Then normal operation of this unit should then take effect.

INSTALLATION INSTRUCTIONS (back mount):

1. Open front cover by blade screwdriver.
 2. Determine which mounting holes will be used to mount the fixture to J-BOX and then punch out the proper K/Os from the K/O pattern on the back panel of the housing.
 3. Connect AC supply wires to fixture input wires. Black is for 120V; Red is for 277V; White is for neutral.
 4. Connect the RED and BLACK leads coming from the circuit board to the battery terminals. RED lead would be connected to the positive terminal and Black lead to the negative terminal.
 5. Install back the front cover.
-

COMPACT SIZE DUAL HEAD EMERGENCY LIGHT

Ceiling Mount:

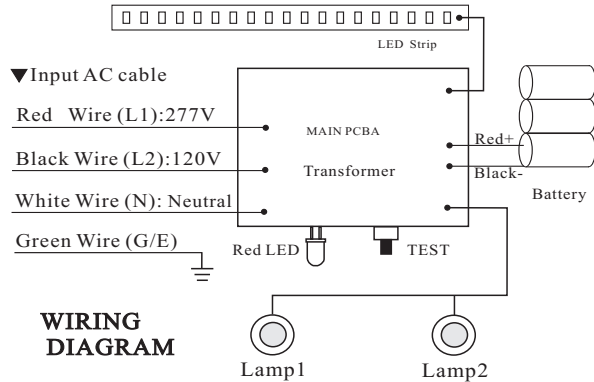
Follow the above steps (Attach canopy to the proper mounting holes refer to the top of the frame)

Product parameters:

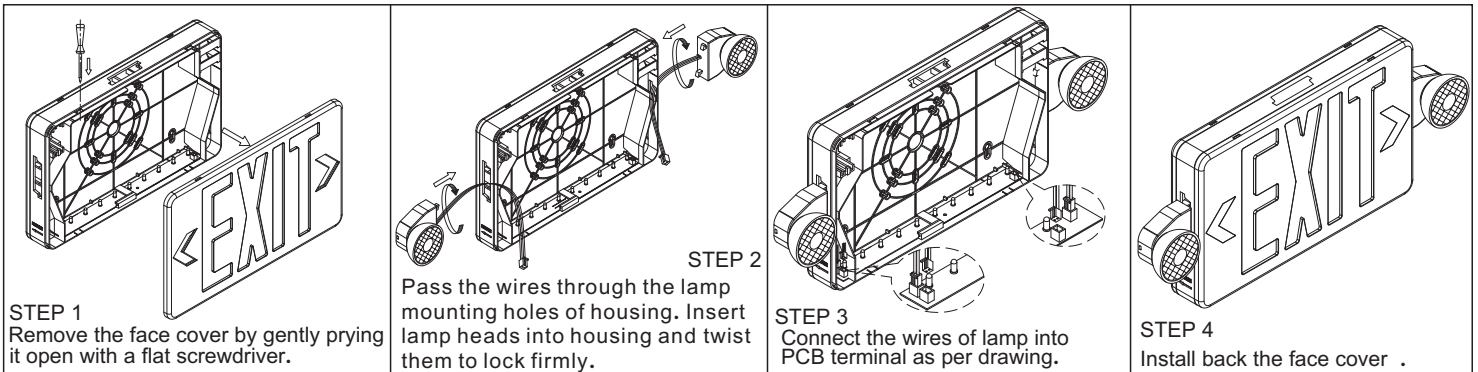
Electrical parameters
Working voltage:120V;277V 50Hz/60Hz
Input Wattage: 5W
Input Current: 0.04A
Efficiency: 0.86P
Recharge time: 24 Hours
Output Wattage: 1W-2W
Plug in LED:Φ5 Red*12pcs
Lead-Acid Battery 3.6V/1000mAh
Emergency duration: ≥ 90Mins
Product Size: 430*187*45/mm

WARNING:

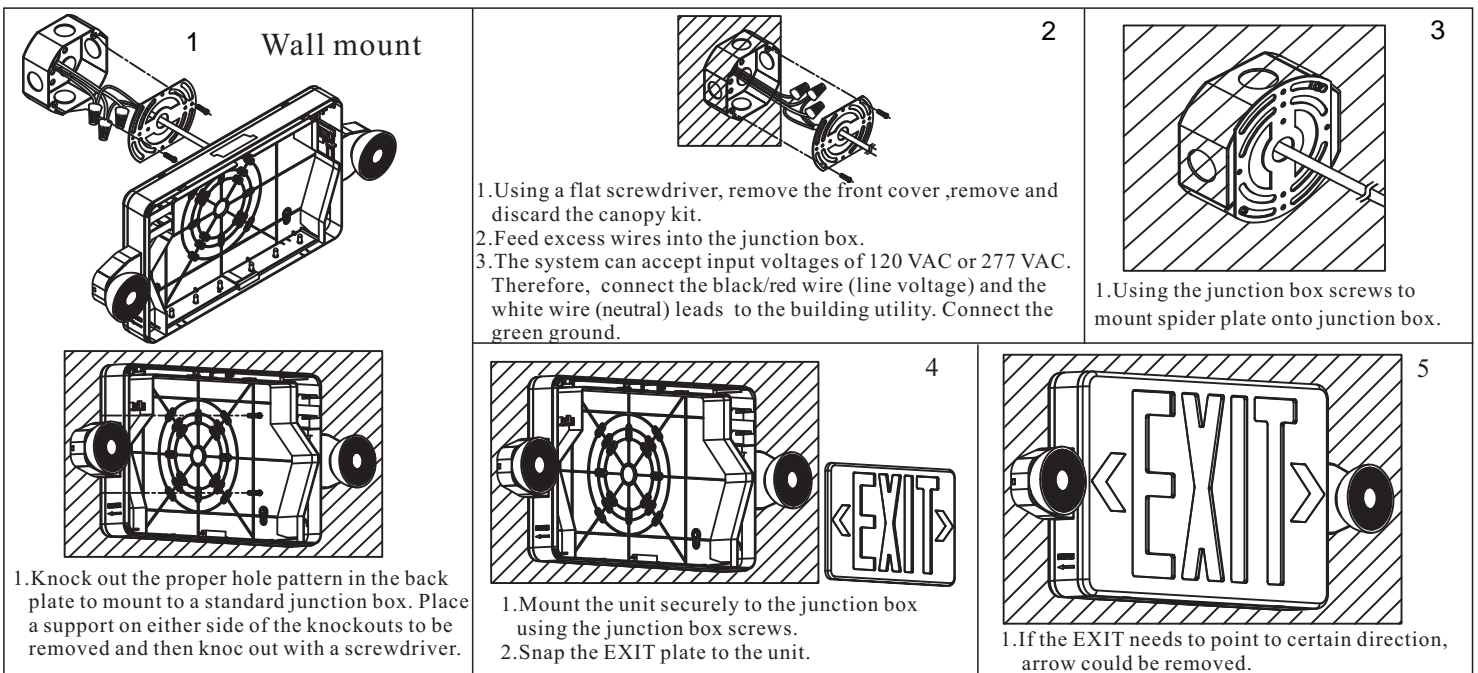
Unused wires must be capped using enclosed wire nuts.



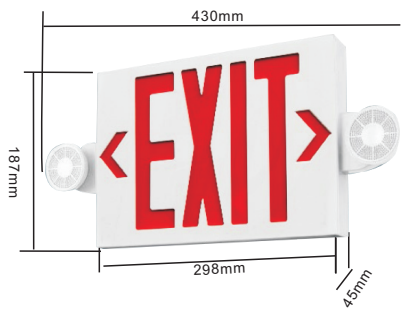
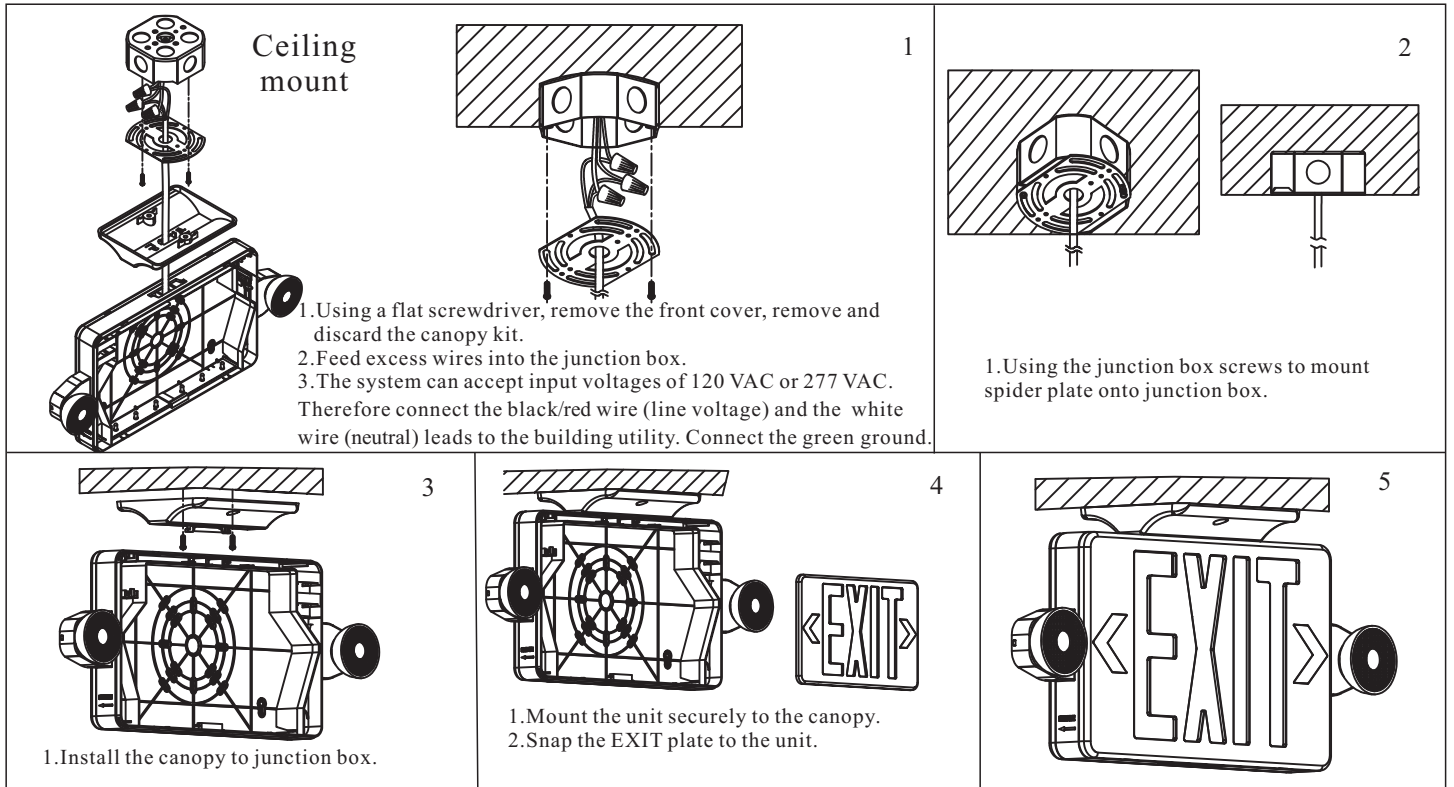
INSTALLATION OF LAMP HEADS



INSTALLATION DIAGRAM



COMPACT SIZE DUAL HEAD EMERGENCY LIGHT



Max. mounting height:
 15.19ft (4.62 m)" or the equivalent.

CAUTION



This equipment is furnished with a sophisticated low voltage battery dropout circuit to protect the battery from over-discharge after the useful out-put has been used. Allow 20 hours recharge time after installation or power failure for full-load testing or usage.