


INSTRUCTIONS

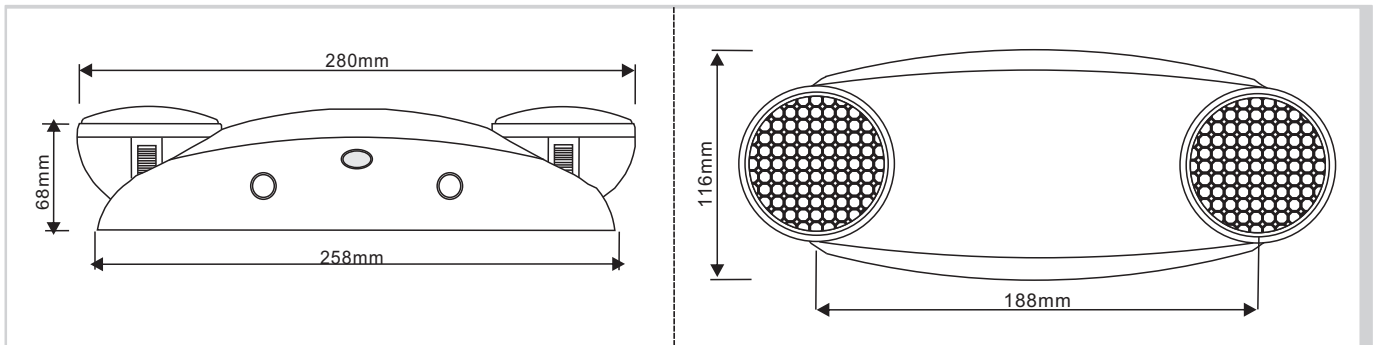
1. IMPORTANT:

Battery in this unit may not be fully charged at the time electrical connection is made. Let battery charge for at least 24 hours. Then normal operation of this unit should take effect. To check, press the "TEST" button, the lamps of the unit should turn on.

2. CIRCUITRY:

Input voltage		Circuitry	
AC120V 50/60Hz	Input Wattage: 4W	<ul style="list-style-type: none"> ● Emergency duration: \geq 90Mins ● Recharge time: 24 Hours ● Output Wattage: 2x1W Light Source: Ultra bright LED ● Color temperature: 6000K ● Ni-cd Battery: 3. 6V 600mAh AA 	
	Input Current: 0. 03A		
	Efficiency: 0. 97P		
AC277V 50/60Hz	Input Wattage: 4.5W		
	Input Current: 0. 03A		
	Efficiency: 0. 94P		

3. PRODUCT SIZE:



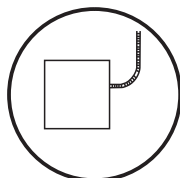
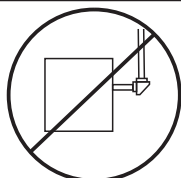
4. IMPORTANT SAFEGUARDS:

- 4.1 When using electrical equipment, basic safety precautions should always be followed including the following.
- 4.2 When using electrical equipment, close all electrical power before installation.

5. READ AND FOLLOW ALL SAFETY INSTRUCTIONS:

- 5.1 Read and follow all safety instructions.
- 5.2 Disconnect power before performing work on electrical equipment.
- 5.3 Do not use outdoors.
- 5.4 Do not let power cords touch hot surfaces.
- 5.5 Do not install in hazardous locations or near gas or electric heaters.
- 5.6 The use of accessory equipment not recommended by manufacturer, may cause an unsafe condition and will void the unit's warranty.
- 5.7 Do not use this equipment for other than its intended purpose.
- 5.8 Servicing of this equipment should be performed by qualified service personnel.
- 5.9. Equipment should be mounted in locations and at heights where it will not readily be subjected to tampering by unauthorized personnel.
- 5.10. Allow battery to charge for 24 hours before first use.

6. SAVE THESE INSTRUCTIONS:

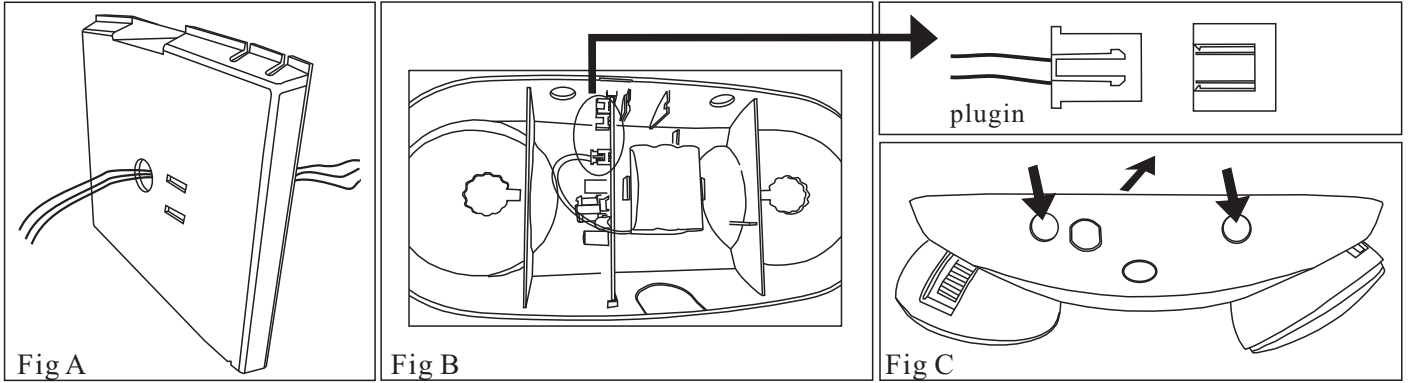


← FLEXIBLE CONDUIT ONLY

INSTRUCTIONS

7. INSTALLATION (J-BOX MOUNTING):

- 7.1 Feed fixture leads through main bottom case and connect AC power supply (Fig A).
- 7.2 Connect wires through J-Box. Place bottom case on J-Box and secure with screws.
- 7.3 Connect battery only when continuous AC power can be provided to the unit (Fig B).
- 7.4 Align snaps and push housing directly onto main bottom case (Fig C). Apply continuous AC power and press "TEST" button to check lamps.



WARNING:

Unused wires must be capped using enclosed wire nuts.

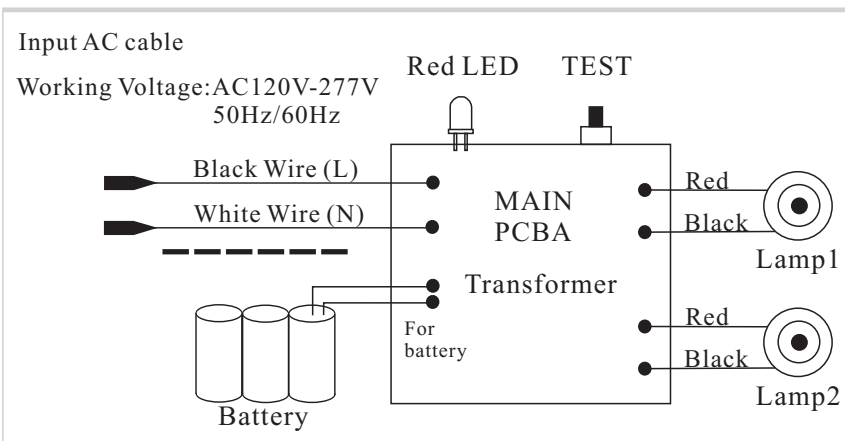
8. INSTALLATION (CONDUIT):

- 8.1 Secure main bottom case to wall surface. Route wires through hole in conduit flange and make conduit connection.
- 8.2 Connect battery only when continuous AC power can be provided to the unit (Fig B).
- 8.3 Align snaps and push housing directly onto main bottom case (Fig C). Apply continuous AC power and press "TEST" button to check light.

9. OPERATION:

- 9.1 During an electrical power failure, the lamps will automatically come on for a minimum of 90 minutes.
- 9.2 To test, press the "TEST" switch, the emergency lamps will illuminate. When the switch is released, the lamps will go off.

10. WIRING DIAGRAM:



11. ADJUST LAMP HEADS AND LENS:

