

LED Dusk to Dawn Light Series

Wattage: 45W



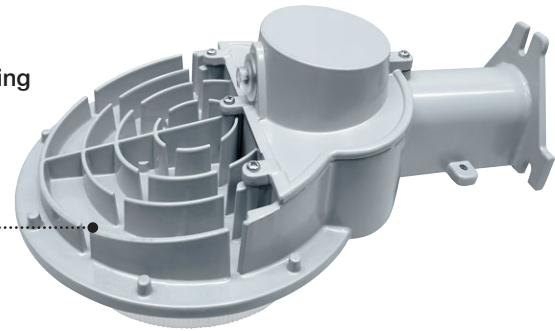
The Dusk to Dawn Light Series can be widely used in outdoor lighting (wet location). The Street Light Series can be widely used for museums, art galleries, underground parking lot, buildings, the lawn, industrial areas, residential areas, sidewalks, parking lot, schools and many more applications.



FEATURES

- Lumileds LED, high luminous efficiency and long working life.
- High efficiency LED Driver, the wide range input voltage AC120-277V.
- Excellent Optics design, greatly improve the light utilization and evenness.

- Die Cast aluminium cooling design, high quality and better cooling for LED $T_j < 85^{\circ}\text{C}$.

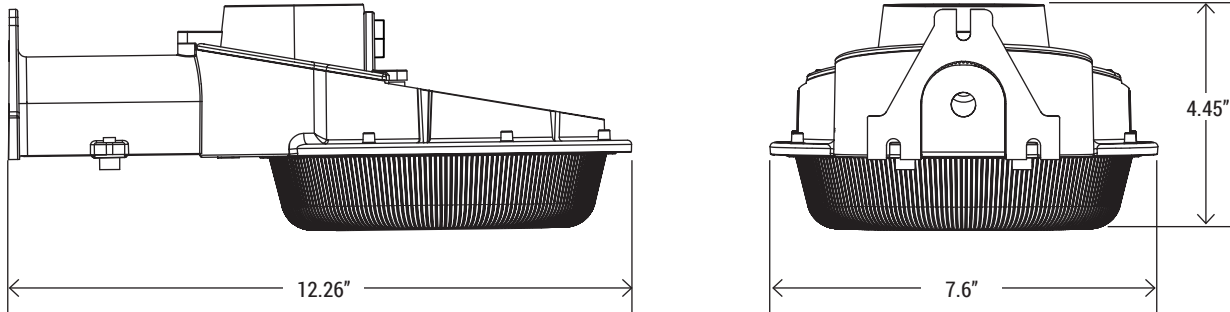


SPECIFICATION	
WATTAGE	45W
LUMEN	6300 Lm
EFFICACY	150 lm/W
CCT	4000K, 5000K
CRI	70
INPUT VOLTAGE	AC120-277V
LIGHT ANGLE	124°
POWER FACTOR	0.98
DRIVER EFFICACY	90%
DIMMING	0-10V Dimming
WORKING TEMPERATURE	-22°F ~ 113°F
LIFESPAN (L70)	75,000 hours
PROTECTION LEVEL	Wet locations/IP65
CABLE	Input Connect, 0.3m
WARRANTY	5 year limited

LED Dusk to Dawn Light Series

Wattage: 45W

DIMENSION



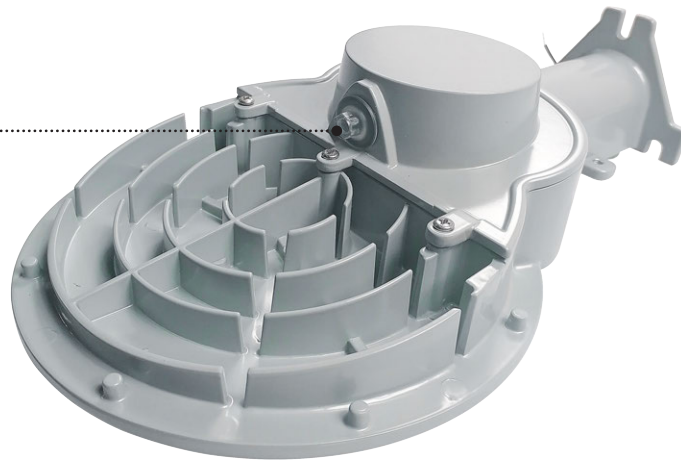
WATTAGE	45W
GR. WEIGHT	2.65 lbs
BOX DIM.	29.92" x 21" x 14.37"

PHOTOCELL



NPSM-LDQ

Used for indoor or outdoor LED lamps, working with light sensing principle, the NPSM-LDQ sensor (NPSM-LDQ for 120-277V) is used for Light sensor.



ORDERING INFORMATION

EXAMPLE:

WSD-45WDW27-50K-S-P

WSD	45W	DW	27	50K	S	P
PRODUCT	WATTAGE	PRODUCT	VOLTAGE	CCT	FINISH	CONTROL
WSD (WSD LED INC)	45W - (45W)	DW (Dusk to Dawn)	27 - (120-277V)	40K - (4000K) 50K - (5000K)	S - (Silver) D - (Dark Bronze)	P - (Photocell)

LED Dusk to Dawn Light Series

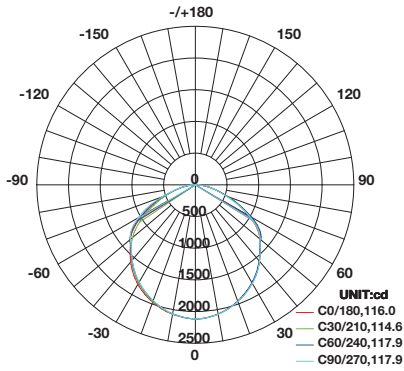
Wattage: 45W

PHOTOMETRICS

For complete IES files, please visit our website.

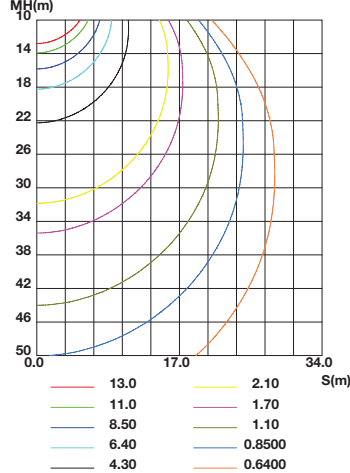
WSD-DW45W27-40K

LUMINOUS INTENSITY DISTRIBUTION DIAGRAM

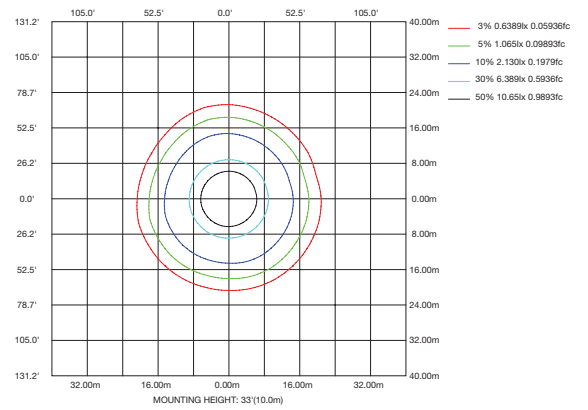


AVERAGE BEAM ANGLE(50%):116.6 DEG

C0 PLANE ISOLUX DIAGRAM (UNIT:lx)

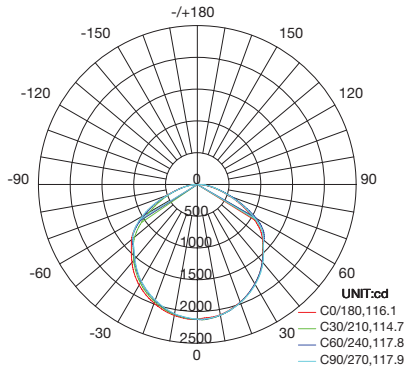


ISOLUX DIAGRAM



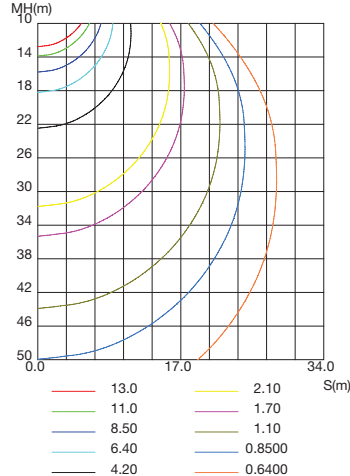
WSD-DW45W27-50K

LUMINOUS INTENSITY DISTRIBUTION DIAGRAM

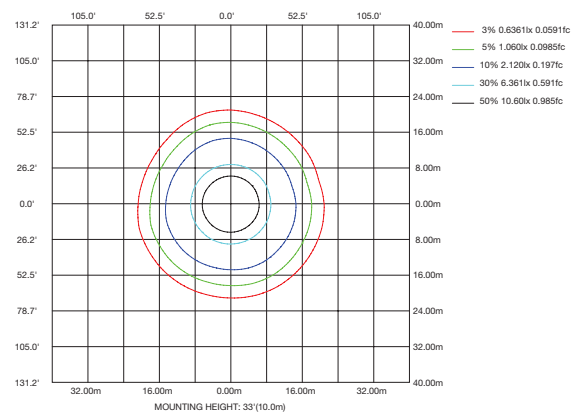


AVERAGE BEAM ANGLE(50%):116.6 DEG

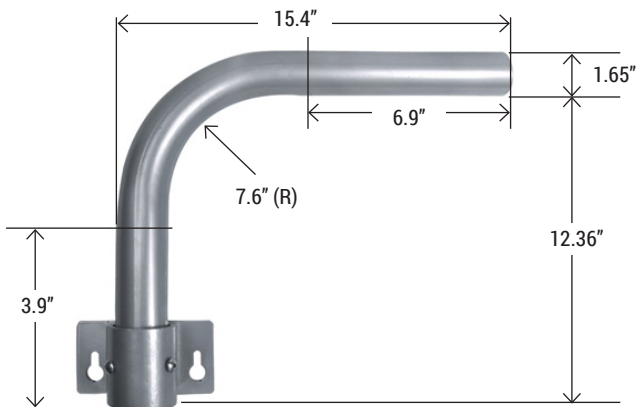
C0 PLANE ISOLUX DIAGRAM (UNIT:lx)



ISOLUX DIAGRAM



MOUNTING OPTION (SOLD SEPARATELY)



Installation pipe Mainly used for Dusk To Dawn Light 45W installation. Place the lamp on the mounting arm and lock it. Another side use of professional tools to drill two screw holes in the mounting bracket (wall or other).