

LED Slim Canopy Series

Wattages: 45W, 65W

LED Slim Canopy Light Series can be widely used in indoor or outdoor lighting (wet location). Ideal for museums, art galleries, parking garage, buildings, the lawn, industrial areas, residential areas, sidewalks, schools, and many more applications.



FEATURES

- Lumileds LED, high luminous efficiency and long working life.
- High efficiency LED Driver, the wide range input voltage AC120-277V/AC347-480V.
- Excellent optics design, greatly improve the light utilization and evenness.
- Motion sensor control available (Optional) .
- 1-10V DC Dimming (Optional).

Die-cast aluminum cooling design, high quality and better cooling for LED $T_j < 85^{\circ}\text{C}$.



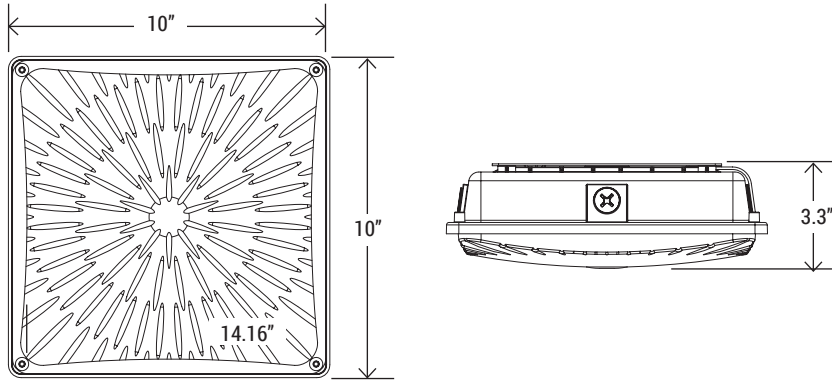
SPECIFICATION

	45W	65W
WATTAGE	45W	65W
LUMEN	6075 lm	8775 lm
EFFICACY	135 lm/W	135 lm/W
CCT	4000K, 5000K	
CRI	70	
INPUT VOLTAGE	120-277V / 347-480V	120-277V
POWER FACTOR	0.95	
DRIVER EFFICACY	90%	
DIMMING	1-10V Dimming	
LIGHT ANGLE	130°	
LIFE SPAN	75,000 hrs	
WORKING TEMPERATURE	-22°F ~ 113°F	
STORAGE TEMPERATURE	-40°F ~ 176°F	
OUTDOOR RATING	Wet location	
CABLE	Input Connect, 0.3m	
WARRANTY	5 year limited	

LED Slim Canopy Series

Wattages: 45W, 65W

DIMENSION



WATTAGE	45W
NT. WEIGHT	5.5 lbs
BOX DIM.	22.24" x 11.42" x 10" (4pcs/ctn)

WATTAGE	65W
NT. WEIGHT	6 lbs
BOX DIM.	22.24" x 11.42" x 10" (4pcs/ctn)

PHOTOCELL (SOLD SEPARATELY)



BRI810 // BRI810-B-M10
Microwave Motion Sensor



BRI810 AC120-277V // BRI810-C-F
LED Area Light Motion Sensor



RC-100
Remote Controller

EMERGENCY BACK-UP (SOLD SEPARATELY)



BLD-CM20E-480800-8W
8W Emergency Backup Battery
LED Driver

ORDERING INFORMATION

EXAMPLE:

WSD-CP-45W-27-50K-D-M

WSD	CP	45W	27	50K	D	M
COMPANY	PRODUCT	WATTAGE	VOLTAGE	CCT	FINISH	CONTROL
WSD LED INC	CP Slim Canopy	45W* - (45W) 65W - (65W)	27 (AC120-277V) 48* (AC347-480V)	40K - (4000K) 50K - (5000K)	D - (Dark Bronze) W - (White) B - (Black) S - (Silver)	M - (Motion sensor)

LED Slim Canopy Series

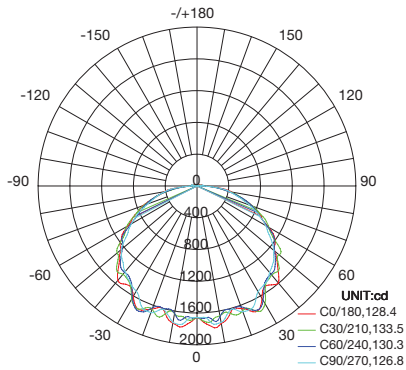
Wattages: 45W, 65W

PHOTOMETRICS

For complete IES files, please visit our website.

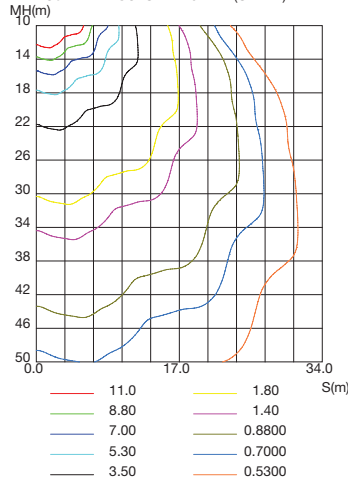
WSD-CP-45W27-50K

LUMINOUS INTENSITY DISTRIBUTION DIAGRAM

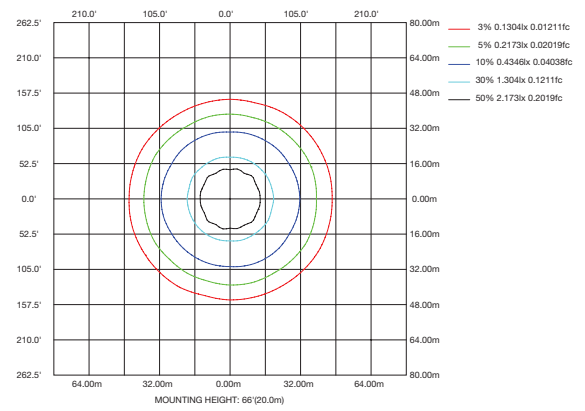


AVERAGE BEAM ANGLE(50%):129.7 DEG

C0 PLANE ISOLUX DIAGRAM (UNIT:lx)

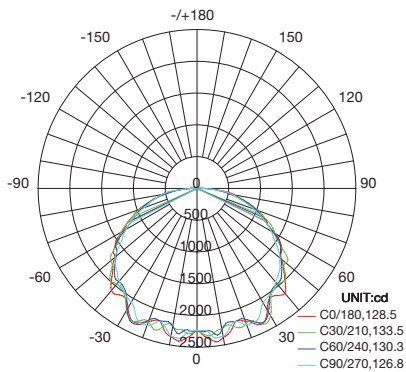


ISOLUX DIAGRAM



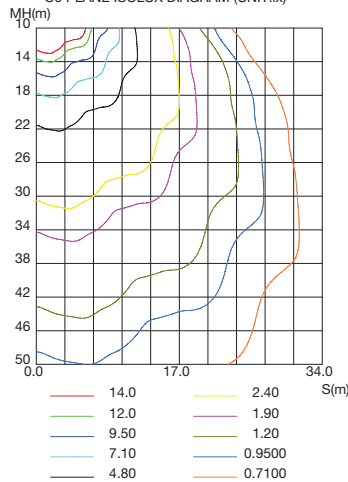
WSD-CP-65W27-50K

LUMINOUS INTENSITY DISTRIBUTION DIAGRAM



AVERAGE BEAM ANGLE(50%):129.8 DEG

C0 PLANE ISOLUX DIAGRAM (UNIT:lx)



ISOLUX DIAGRAM

