

# Surface mounted kits

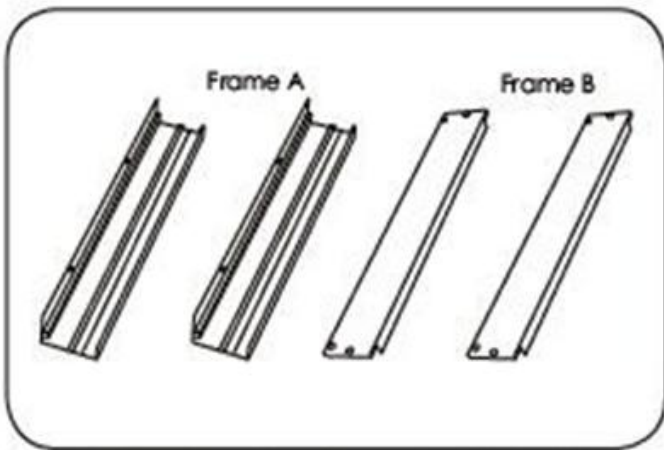
## Construction

The surface mounted kits make by aluminum material

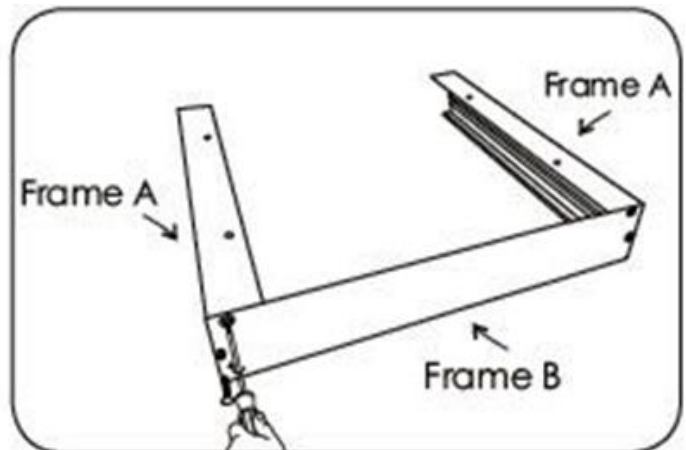
Part No.	Size
PANEL2X2-KIT	609.5*610*61mm
PANEL2X4-KIT	609.5*1219*61mm
PANEL1X4-KIT	309.5*1219*61mm



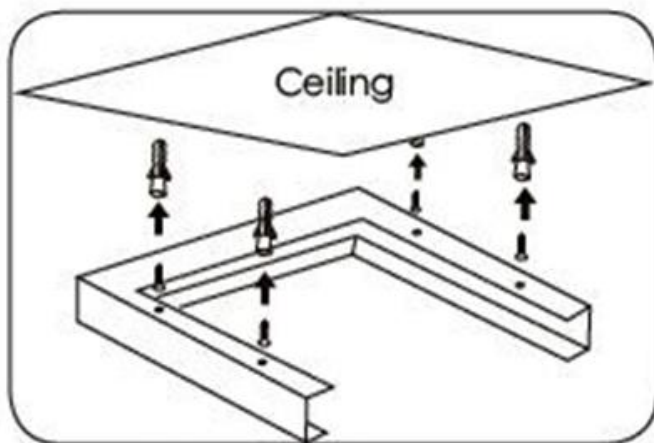
## Insallation Manual



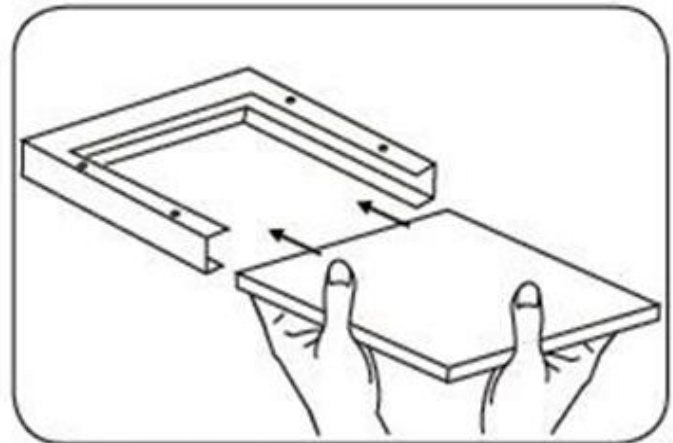
a, Identify the two frame types as illustrated above (Type A and B)



b, Fix thre two "A" frames together with one "B" frame



c, Mount the frame to the ceiling



4, Slide the Panel in to the frame