

End-product drawing

6	7	8
REV.	DESCRIPTION	DESIGN DATE
(X1)	NEW DRAWING	PDH

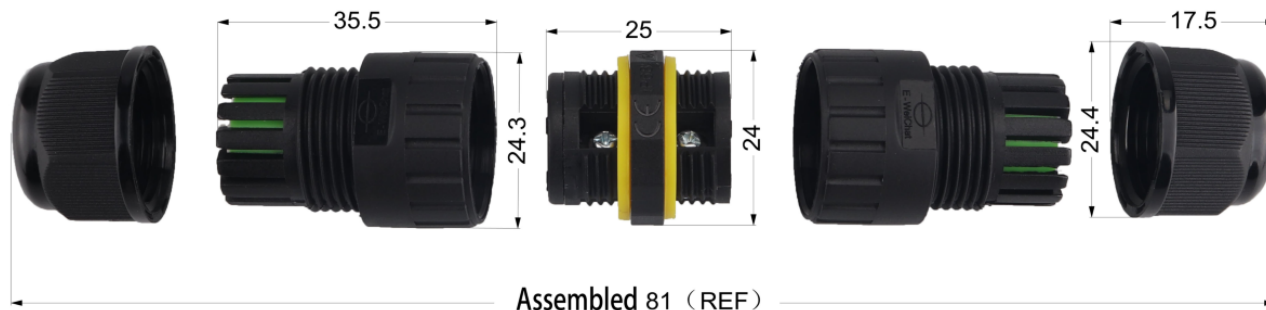
NOTES:

1. MATERIAL: PA66、BRASS、 SILICONE;
2. CERTIFICATION: ROHS/TUV/SAA/CE;
3. FIRE-PROOT: UL94-V2。
4. NO DEFECT IN APPEARANCE;
5. UNITS: mm;
6. CONDUCTION TEST: THE TWO ENDS OF THE 3 CORE JOINTS ARE RESPECTIVELY CONNECTED
7. A、 MAXIMUM CURRENT-CARRYING CAPACITY: 400V/24A  
 B、 TEST VOLTAGE: 2500V  
 C、 SUITABLE FOR CABLES CROSS SECTIONS: 0.5-2.5mm<sup>2</sup>  
 D、 OPERATING TEMPERATURE RANGE: -40~+105°C  
 E、 PROTECTION CLASS: IP68

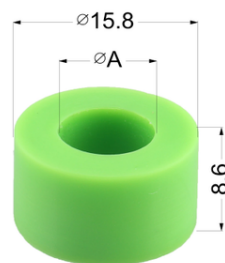


3 Pins

UNITS: mm



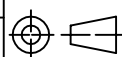
Silicone parts



φA	Wire OD
φ8.5	φ5-9mm

Weight	MEAS	Each carton number	G. W.
28g	42*30*34cm	600pcs	17.7Kg

UNLABELED TOLERANCE			
X.	±0.35	X.XX	±0.20
X.X	±0.25	X.XXX	±0.10
X.X°		X.X°	±1°



UNITS	mm	DRAW	PDH 2019/10/10	PART NO.	EW-M20-3P
SCALE	1:1	CHKD		DWG NO	EW-M20-3P
SHEET	1/1	APPD		TITLE	Waterproof connetor